

**STANLEY**

# DIAMOND SERIES DIGITAL DOOR LOCK

**StanleyBlack&Decker**

Stanley Black & Decker  
1000 Stanley Drive New Britain, CT 06053  
T +1 (860) 2255111

**STANLEY**



**DIAMOND SERIES  
DIGITAL DOOR LOCK**

**STANLEY**



**Z 100 / M 100**

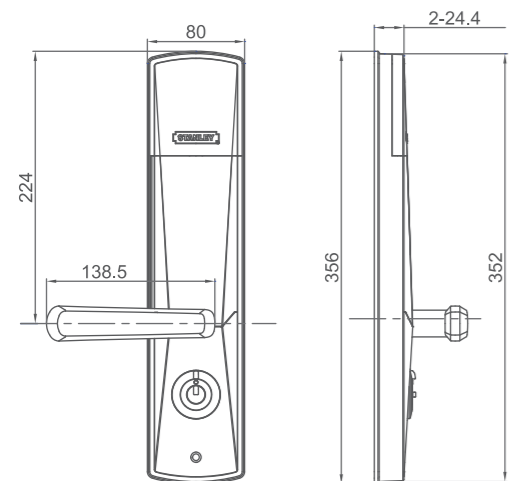
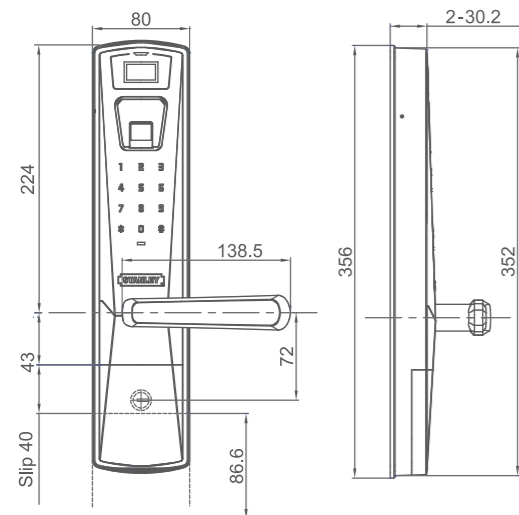
PRECISE CASTING BRINGS SAFETY AND RELIABLE

**Patent Design**

## Digital door lock Z100 fingerprint digital lock

Individualized lock with optical fingerprint module and OLED display screen

- Silver ST-Z100-001
- Gold ST-Z100-002



Unit:mm

### Product features

- Auto lock design, delicate and safe**  
Automatic door locking features with no need of pulling up, X parallel locking points, provided with anti-panic egress function
- Scramble code feature giving extreme privacy & security**  
Scramble code system preventing the access code from exposure to others
- Easy master/normal mode changeable providing great home security**  
Turn to master mode easily to change the individual user access
- Fashionable & gorgeous design fitting in all life style**  
High security locks with no compromise on design to match your life style
- Optical fingerprint identification, safe and convenient**  
Advanced optical fingerprint module, easy, safe, and reliable
- Highly secured with Hazard alarm functions included**  
Anti locking, anti theft & other warning features to protect your family & property

### More features

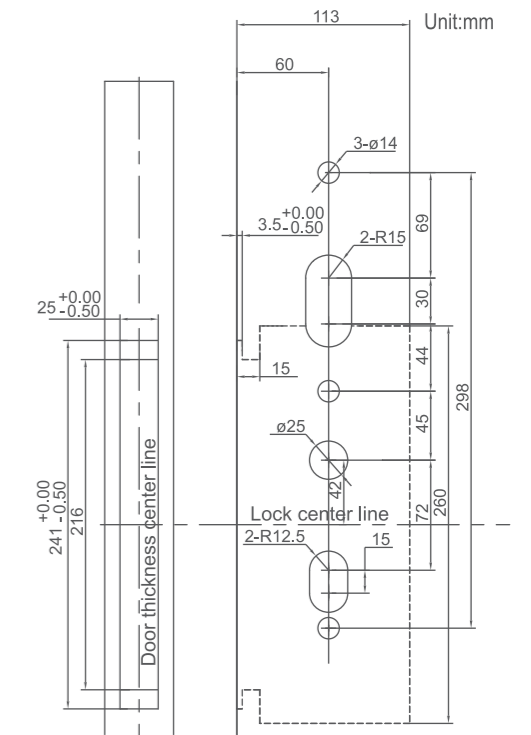
- OLED screen. Easy and convenient use by following the operation instruction**
- Energy saving touch pad, one touch feature**
- Various opening modes: Fingerprint, password, and mechanical key**
- Large memory, maximum registration of 200 fingerprint and 20 passwords**
- 3 level security control: administrator, master, and common user**
- Optional wireless module connecting with remote controller to operate it**
- Energy saving: indoor power-cut switch**
- Apply to villa, high end apartment and office**
- Open mode is possible as passage function**
- Standard door thickness: 45mm - 55mm; other thickness may be indicated at order**
- Support passage function**

Fingerprint reader	Optical module
Fingerprint reader window	Anti-scratch tempered quartz glas
Sensor Speed	< 1s
Read angle	±60°
Resolution	500 dpi
Comparison type	1: N
Search mode	1: N
False rejection rate (FRR)	0.1%
False acceptance rate (FAR)	0.001%
Max. Fingerprint capacity	200
Pin code	4-6 digits
Password safety	Scramble code system
User password capacity	20 passwords
Touch Pad Screen type	Capacitance touch pad
Temperature	-20°C ~ +60°C
Humidity	40%~90% (condensation free)
Emergency power	9V
Power supply	DC6V(4*1.5V AA alkaline battery)
Duration (Battery)	Average 10000 accesses
Display Screen	OLED screen
Wireless remote control Module	Optional
Auto locking/Anti-panic egress	Supported
Anti locking, anti theft & other warning features	Supported
Passage Function	Supported



### Correct fingerprint input

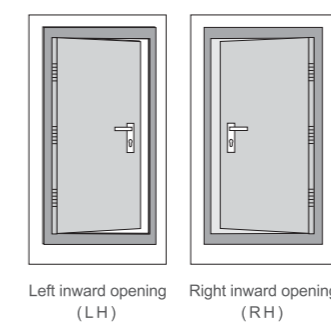
Place finger firmly on the center of fingerprint reader until you hear the tone. Ensure direct contact between finger and fingerprint collection window, and align the fingerprint center with the center of collection window to the maximum so as to cover the collection area as much as possible. Never rotated or shift the finger as properly placed in case of fingerprint collection. Do not shift off finger until the prompt voice is given out.



### Lock tapping diagram:

(The diagram is for reference only; please refer to the instruction sheet in the digital lock package.)

### Opening direction

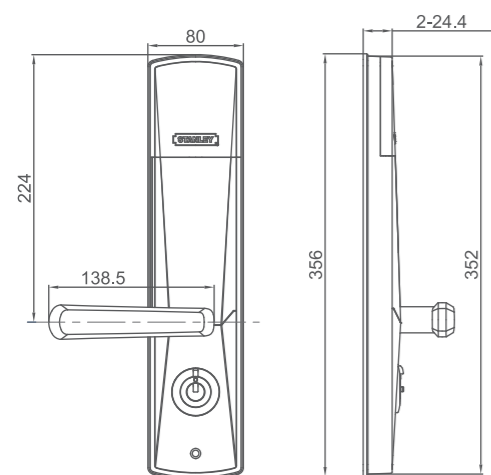
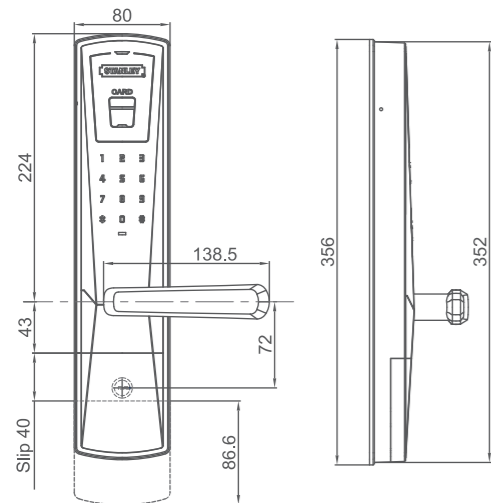


**Patent Design**

**Digital door lock**

**M100 Proximity card & combination coded lock**

- Silver ST-M100-001
- Gold ST-M100-002



Unit:mm

**Product features**



**Auto lock design, delicate and safe**  
Automatic door locking features with no need of pulling up, X parallel locking points, provided with anti-panic egress function



**Scramble code feature giving extreme privacy & security**  
Scramble code system preventing the access code from exposure to others



**Easy master/normal mode changeable providing great home security**  
Turn to master mode easily to change the individual user access



**Fashionable & gorgeous design fitting in all life style**  
High security locks with no compromise on design to match your life style



**Multi easy to use features**  
Compatibility with all non-contact radio frequency card of protocol ISO/IEC 14443 Type A, safe and versatile



**Highly secured with Hazard alarm functions included**  
Anti locking, anti theft & other warning features to protect your family & property

**More functions**



**Various opening modes: Proximity card, password, Proximity card + password, and mechanical key**



**Three level security control: administrator, master card, and guest card**



**Energy saving: indoor power-cut switch**



**Support passage function**



**Energy saving touch pad, one touch feature**



**Large memory, maximum registration of 200 cards & 80 passwords**



**Optional wireless module connecting with remote controller to operate it**



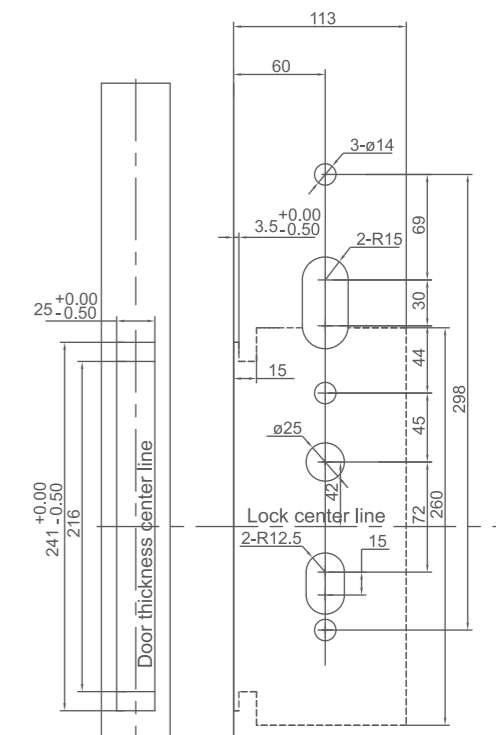
**Apply to villa, high end apartment, and office**



**Standard door thickness: 45mm - 55mm; other thickness may be indicated at order**

Radio frequency card support	Mifare one S50/S70 (Support ISO/IEC14443 Type A)
Frequency	13.56MHz
Sensor Speed	<0.5 s
Valid reading distance	25mm (limit value)
User card capacity	200
Pin code	4-6 digits
Password safety	Scramble code system
User Password capacity	80 passwords
Touch Pad Screen Type	Capacitance touch pad
Temperature	-20°C~+60°C
Humidity	40%~90% (condensation free)
Emergency power	9V
Power supply	DC6V(4*1.5V AA alkaline battery)
Duration (Battery)	Average 10, 000 accesses
Wireless remote control Module	Optional
Auto locking/Anti-panic egress	Supported
Anti locking, anti theft & other warning features	Supported
Passage Function	Supported

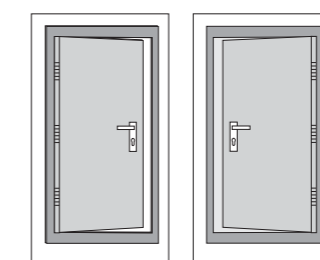
Unit:mm



**Lock tapping diagram:**

(The diagram is for reference only; please refer to the instruction sheet in the digital lock package.)

**Opening direction**



Left inward opening (LH) Right inward opening (RH)



**STANLEY**



ENJOY THE PRESENT  
TOWARD THE FUTURE

**I 200**

Proximity card & combination coded lock

**Patent Design**

## Digital door lock

### I 200 Proximity card & combination coded lock

- Silver
- Gold
- Calx
- Red bronze
- Black



Radio frequency card support	Mifare one S50/S70 (Support ISO/IEC14443 Type A)
Frequency	13.56MHz
Sensor Speed	<0.5 s
Valid reading distance	25mm (limit value)
User card capacity	200
Pin code	4-6 digits
Password safety	Scramble code system
User Password capacity	80 passwords
Touch Pad Screen Type	Capacitance touch pad
Temperature	-20°C~+60°C
Humidity	40%~90% (condensation free)
Emergency power	9V
Power supply	DC6V(4*1.5V AA alkaline battery)
Duration (Battery)	Average 10, 000 accesses
Wireless remote control Module	Optional
Auto locking/Anti-panic egress	Supported
Anti locking, anti theft & other warning features	Supported
Passage Function	Supported

#### Product features



**Auto lock design, delicate and safe**  
Double latch lock case or X parallel locking points with surface vertical rod exit device for choice, automatic door locking features with no need of pulling up, provided with anti-panic egress function



**Scramble code feature giving extreme privacy & security**  
Scramble code system preventing the access code from exposure to others



**Easy master/normal mode changeable providing great home security**  
Alarm with both sound and light after 3 wrong password key in or 3 times wrong card swiping, the lock will be locked for 5 minutes



**Creative design for concealed cylinder:**  
Special invisible cylinder structure design, use double row 6 pin brass cylinder



**Fashionable & color variation design fitting in all life style**  
Contemporary design, more finish for customization



**Multi easy to use features**  
Philips Mifare one S50/S70 card can be used, high encryption security, compatibility with all non-contact radio frequency card of protocol ISO/IEC 14443 Type A, safe and versatile



**Highly secured with Hazard alarm functions included**  
Anti locking, anti theft & other warning features to protect your family & property

#### More functions



**Various opening modes:** Proximity card, password, Proximity card + password, and mechanical key



**Energy saving:** indoor power-cut switch



**Support passage function**



**Energy saving touch pad, one touch feature**



**Large memory, maximum registration of 200 cards & 80 passwords**



**Optional wireless module connecting with remote controller to operate it**



**Apply to villa, high end apartment and office**

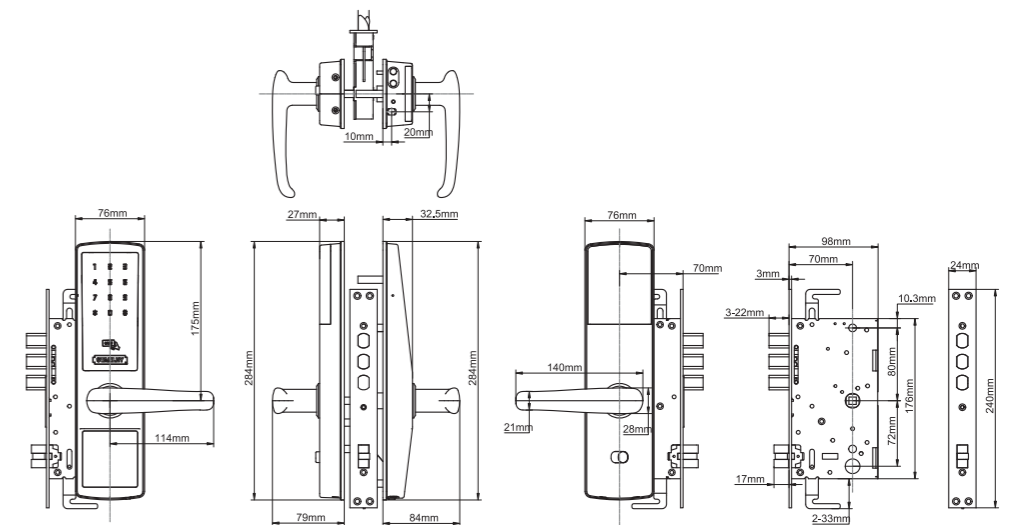


**Standard door thickness: 45mm - 55mm; other thickness may be indicated at order**

#### Lock tapping diagram:

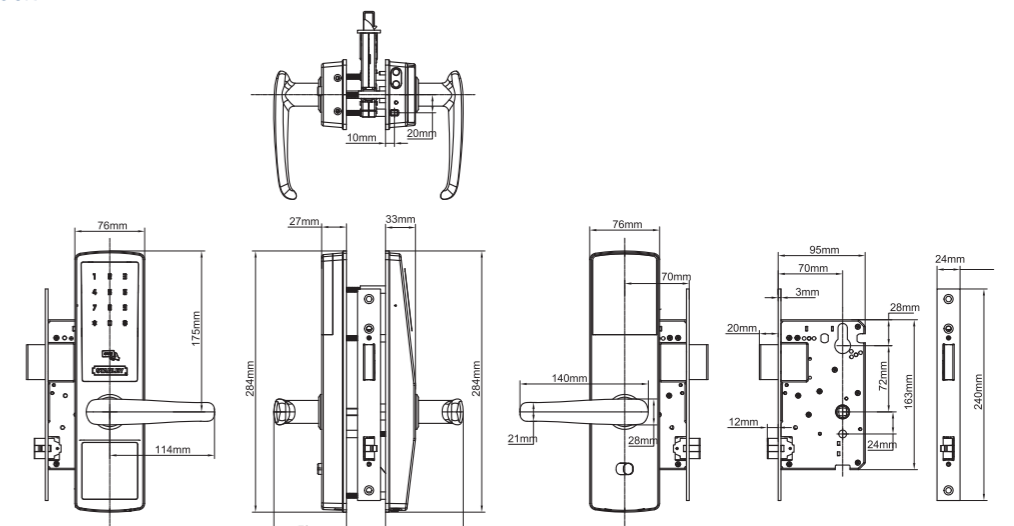
(The diagram is for reference only; please refer to the instruction sheet in the digital lock package.)

#### 3 BULLETS STYLE MORTISE LOCK (For metal doors)

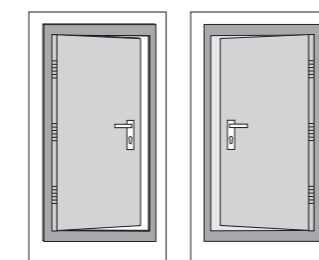


Unit:mm

#### DOUBLE LATCH STYLE MORTISE LOCK (FOR WOOD DOORS)



#### Opening direction



Left inward opening (LH)

Right inward opening (RH)

PRODUCT CODE	DESCRIPTION	FINISH
ST-I200-001LH	I200-Wood door(Double latch )	SILVER
ST-I200-001RH	I200-Wood door(Double latch )	SILVER
ST-I200-002LH	I200-Wood door(Double latch )	GOLD
ST-I200-002RH	I200-Wood door(Double latch )	GOLD
ST-I200-003LH	I200-Wood door(Double latch )	CALX
ST-I200-003RH	I200-Wood door(Double latch )	CALX
ST-I200-011LH	I200-metal door ( 3 BULLETS )	SILVER
ST-I200-011RH	I200-metal door ( 3 BULLETS )	SILVER
ST-I200-012LH	I200-metal door ( 3 BULLETS )	GOLD
ST-I200-012RH	I200-metal door ( 3 BULLETS )	GOLD
ST-I200-013LH	I200-metal door ( 3 BULLETS )	CALX
ST-I200-013RH	I200-metal door ( 3 BULLETS )	CALX